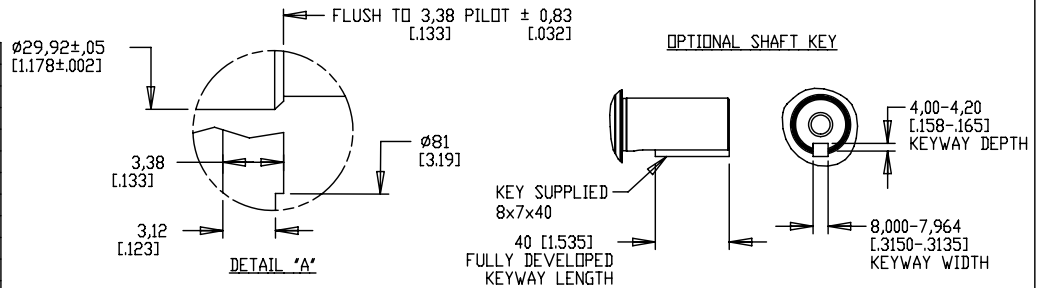
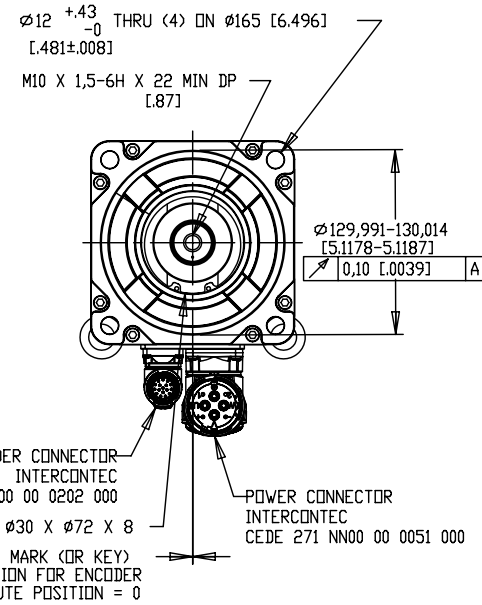
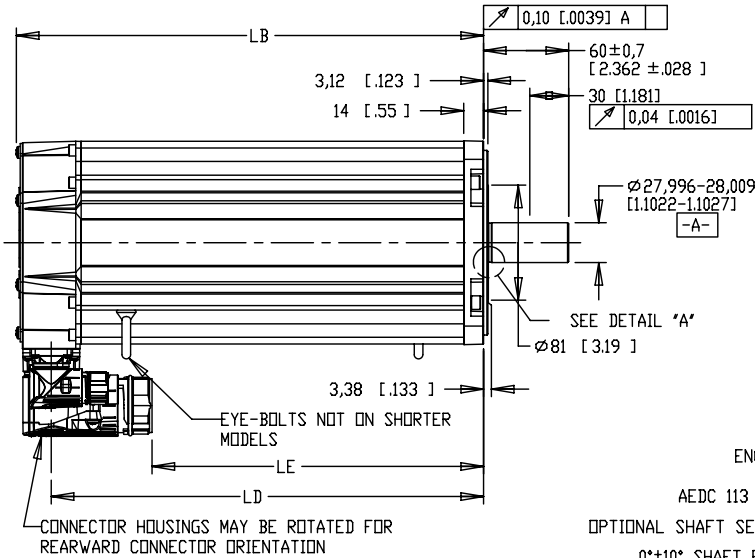


MODEL	LB	LD	LE
MPL-x520	227,3 [8.95]	202,7 [7.98]	131,6 [5.18]
MPL-x540	278,1 [10.95]	253,5 [9.98]	182,4 [7.18]
MPL-x560	328,9 [12.95]	304,3 [11.98]	233,2 [9.18]
MPM-x1651	278,1 [10.95]	253,5 [9.98]	182,4 [7.18]
MPM-x1652	328,9 [12.95]	304,3 [11.98]	233,2 [9.18]
MPM-x1653	379,7 [14.95]	355,1 [13.98]	284 [11.18]

PIN-OUT	
PIN	FUNCTION
U	U
V	V
W	W
⊕	GND
+	MBRK+
-	MBRK-
1	-
2	-

PIN-OUT	
PIN	FUNCTION
1	SIN +
2	SIN -
3	CDS +
4	CDS -
5	DATA +
6	DATA -
7-8	-
9-10	-
11	EPWR 9V
12	ECOM
13	TS +
14	TS -
15-17	-



1

NOTE:

1. DXF FILE OF THIS DRAWING MUST BE SCALED TO LENGTH, SEE CHART ABOVE. MODEL SHOWN IS MPL-x560x-xx74AA.
2. 3D STEP (.stp) FILES AVAILABLE AT ALL LENGTHS.
3. THIS DRAWING COVERS SINGLE AND MULTI-TURN ABSOLUTE ENCODER MODELS (i.e. MPx xxxxx Mx74AA AND MPx xxxxx Sx74AA).

REFERENCES		DESCRIPTION	CAD DOCUMENT
VERSION	UNLESS OTHERWISE SPECIFIED	ESM,MPL-x5xxx-xx74AA;MPM-x165xx-xx74AA M40 CONNECTOR	Allen-Bradley
03	DO NOT SCALE DRAWING DIMENSIONS ARE IN MILLIMETERS WITH INCHES REFERENCED EXCEPT UNLESS OTHERWISE SPECIFIED DIMENSIONS ARE REFERENCE 3RD ANGLE PROJECTION		
		Rockwell Automation	
DR.	WKG	DATE 13 FEB 09	SHEET 1 OF 1
		DXF 2D DR STEP 3D FILE AVAILABLE	DWG. DOCUMENT NUMBER SIZE 10000014310

B